

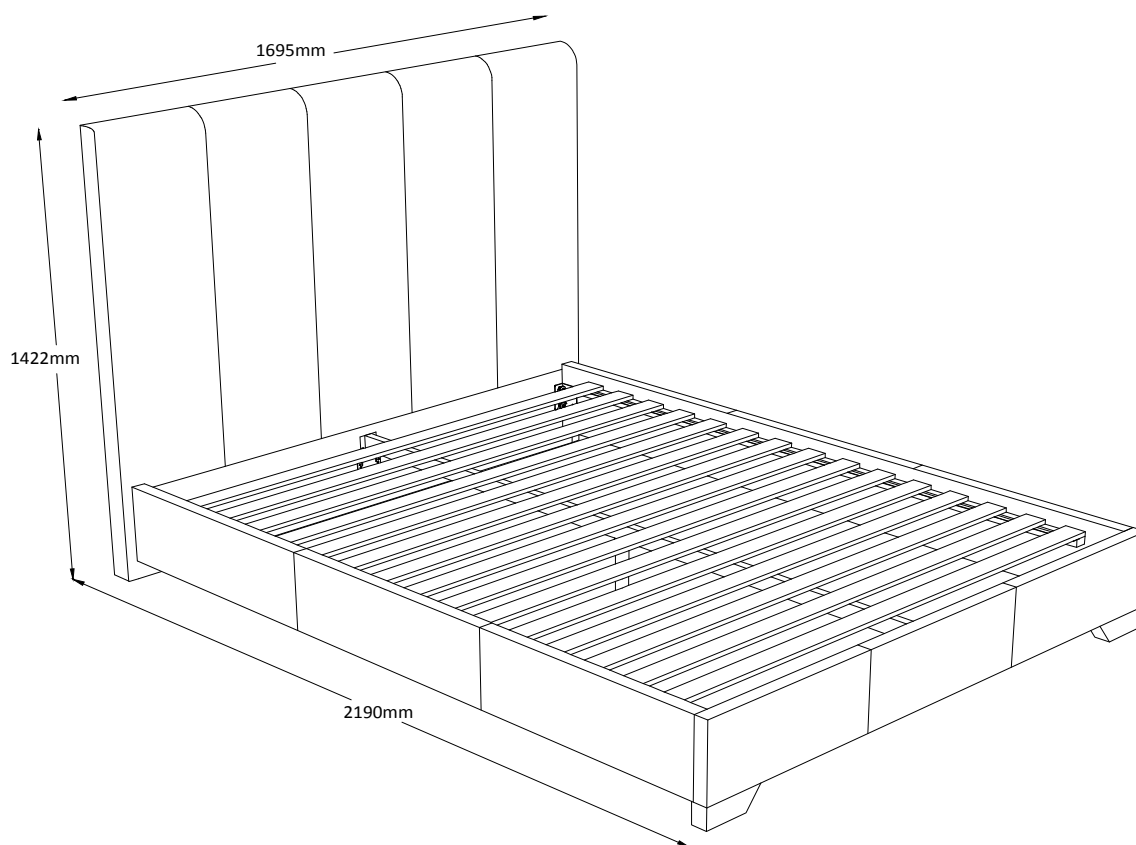


ASSEMBLY INSTRUCTION

AVERY QUEEN BED

ITEM CODE 65536

Imported by Amart Furniture Pty Ltd, Qld, Brisbane Australia.
For any assistance with assembly or for missing parts please phone
Amart Furniture, Customer Service Free call 1800 351 084


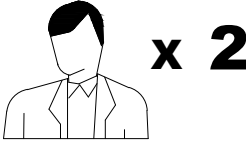


Imported by Amart Furniture Pty Ltd, Qld, Brisbane Australia.
For any assistance with assembly or for missing parts please phone Amart Furniture, Customer Service Free call 1800 351 084

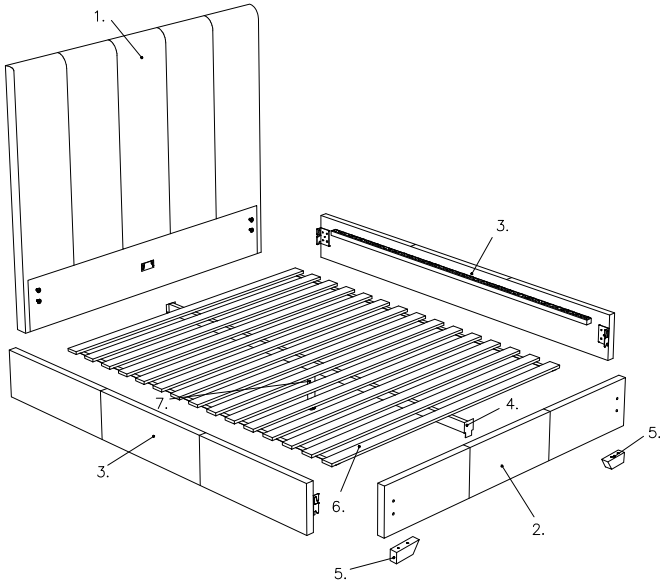
PRE – ASSEMBLY PREPARATION

Before you start :

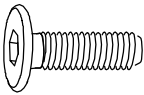
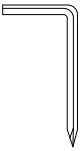

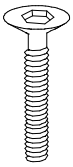
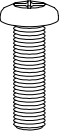
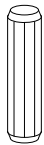
1. Choose a clean, level, spacious assembly area. Avoid hard surfaces that may damage the product.
2. Take care when lifting. Product should be assembled as near as possible to the point of use.
3. Ensure that you have all required contents for complete assembly.
4. Always read the assembly instructions carefully before beginning assembly.
5. Keep all hardware parts and packaging out of reach of small children.
6. Do not over tighten the screws and bolts as this may damage the threads.

	
ALLOW 20 MINUTES	2 PEOPLE REQUIRED

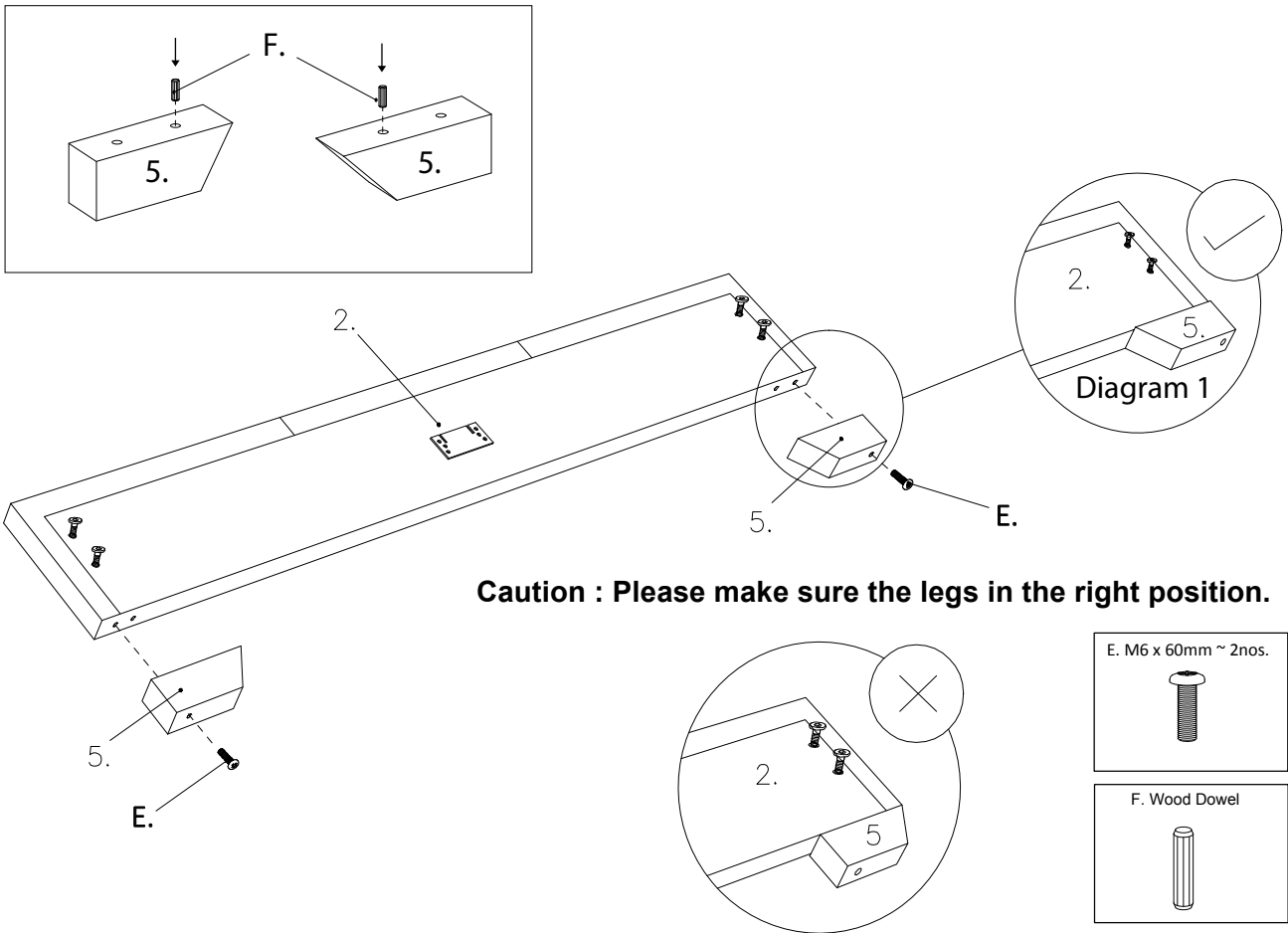
PARTS LIST



1	HEADBOARD (x 1)
2	FOOTBOARD (x 1)
3	SIDE RAIL (x 2)
4	CENTER RAIL (x 1)
5	WOOD LEGS (x 2)
6	FLAT SLAT 1540mm x 62mm x 14mm (x 15)
7	CENTER SUPPORT LEG (x 1)

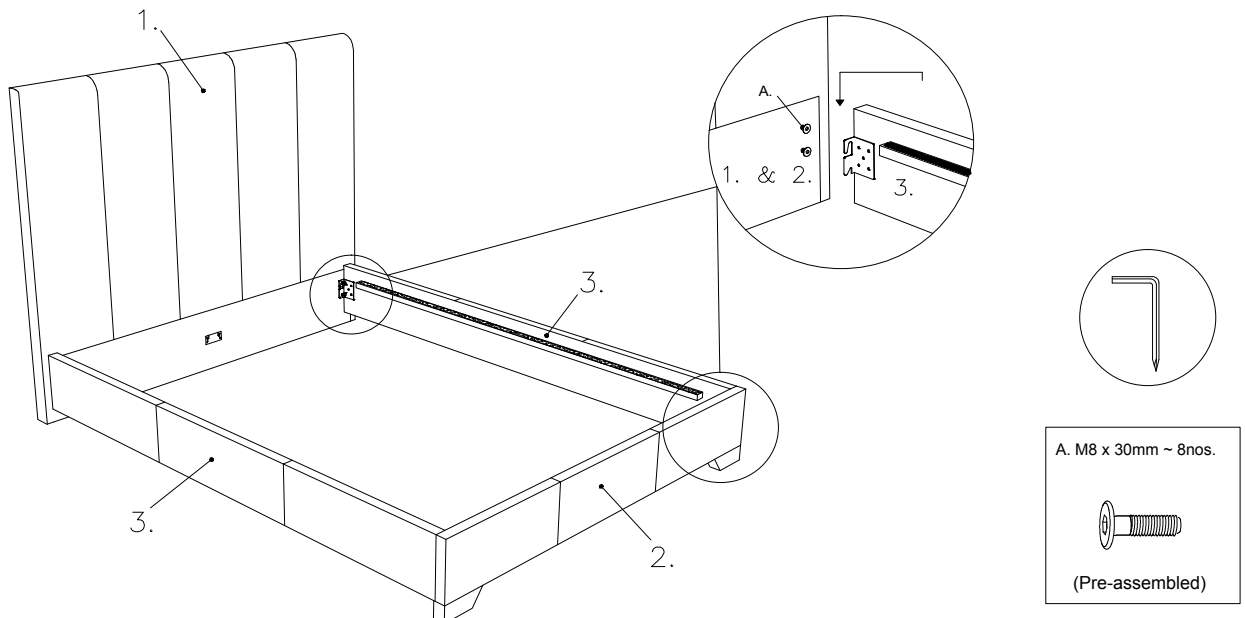
<p>A Bolt (<i>pre-assembled</i>)</p>  <p>M8 x 30mm 8 x A</p>	<p>B Allen Key</p>  <p>M8 1 x B</p>	<p>C Washer</p>  <p>M8 x 60mm 1 x C</p>
<p>D Bolt</p>  <p>M8 x 60mm 1 x D</p>	<p>E Bolt</p>  <p>M6 x 60mm 2 x E</p>	<p>F Wood Dowel</p>  <p>2 x F</p>

Step 1 : Attach Dowels to legs as shown. Ensure all feet (5.) attach to the Footboard (2.) then tighten them before you continue to the next step.

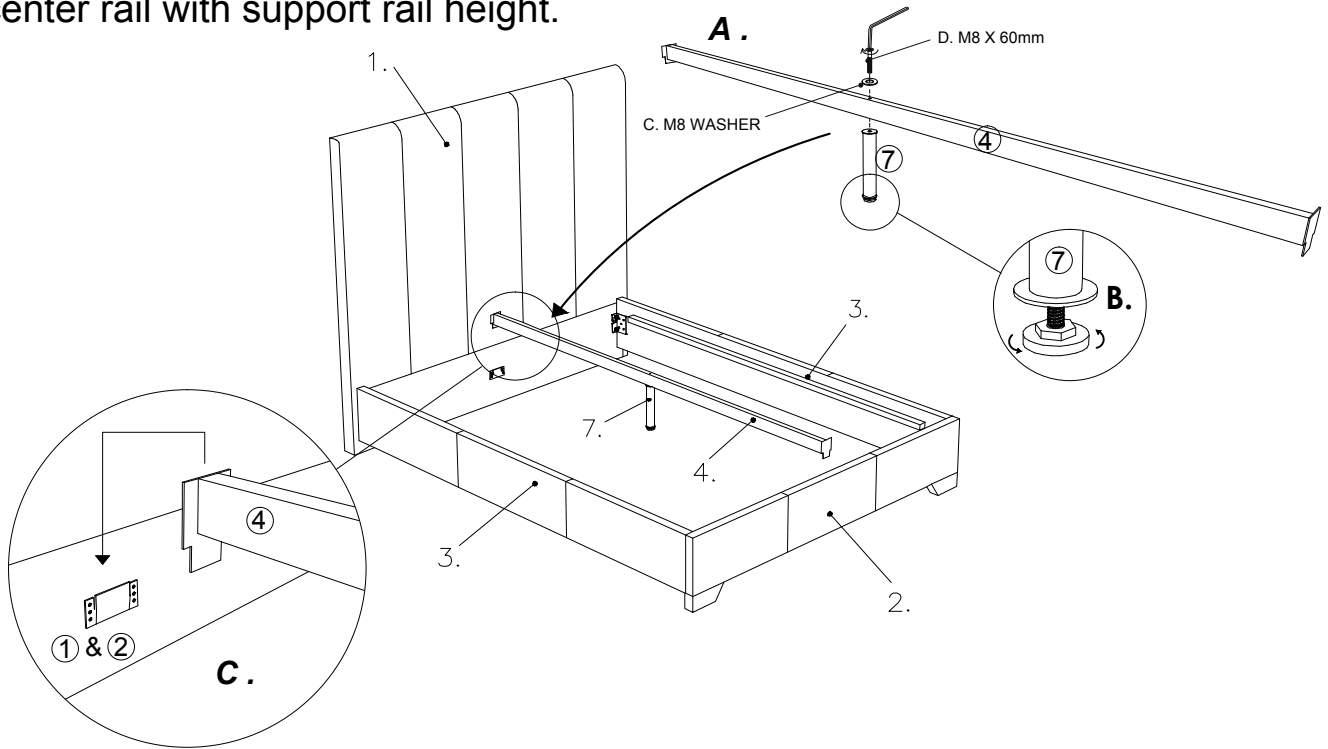


Note : Please ensure the legs are fix and same position according to diagram 1.

Step 2 : Attach Side Rail (3.) to Headboard (1.) and Footboard (2.) by hooking the bracket on Side Rail (3.) to pre installed bolts on Headboard (1.) and Footboard (2.). Do not tighten until center rail attaches.

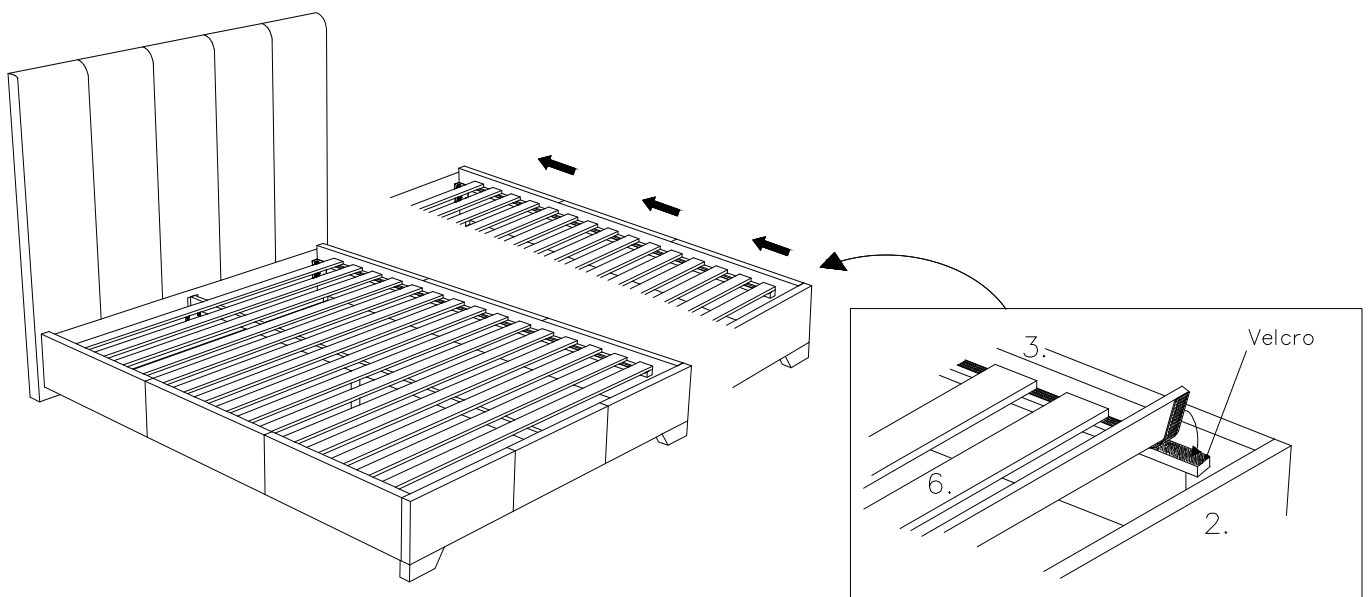


Step 3 : Install the Center Support Leg (7.) with D. M8 x 60mm bolt and C. M8 Washer on Center Rail (4.). Connect Center Rail (4.) by slotting each end into brackets installed on Headboard (1.) and Footboard (2.) by pushing the bracket down. Please adjust the threaded leg on the Center Support Leg (7.) to level the center rail with support rail height.



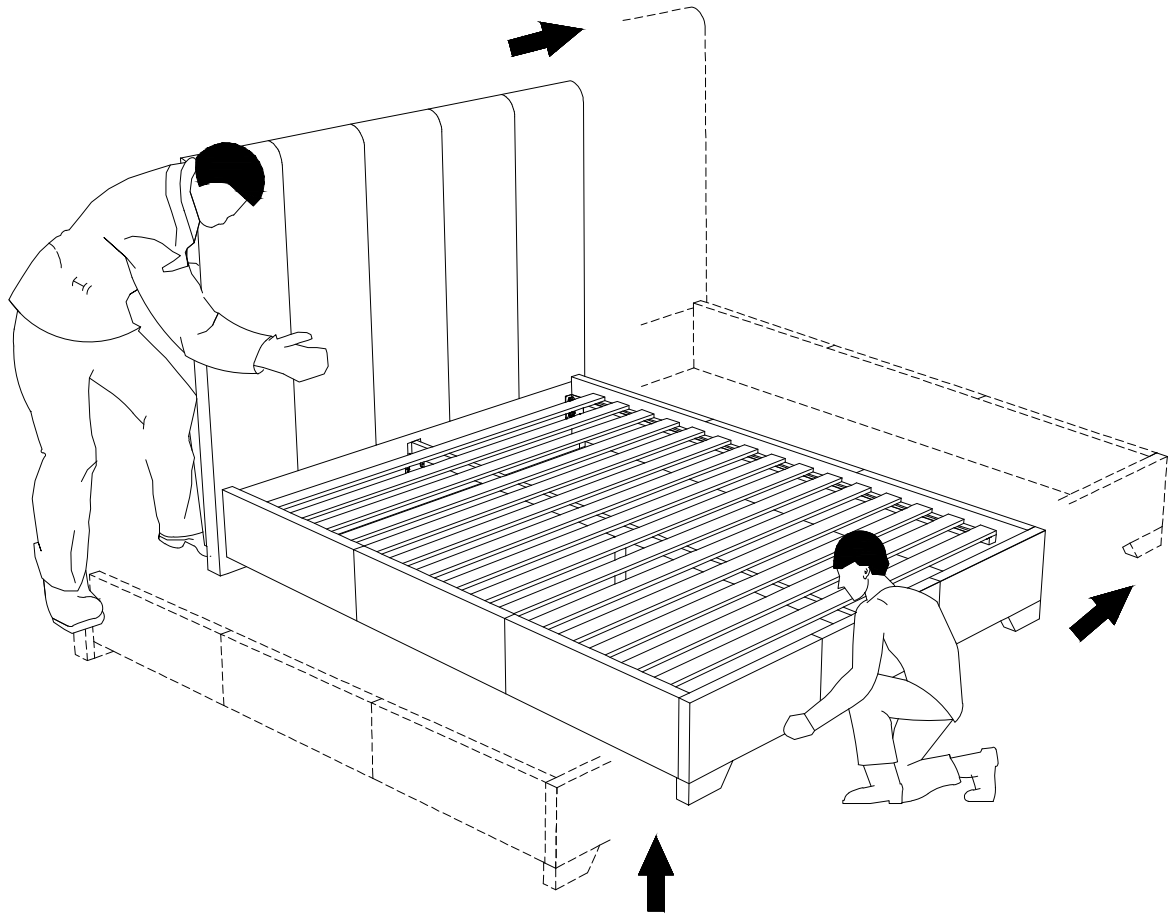
Please Note: Do not tighten any bolts until all components (Part 1, 2, 3 & 4) are in place.

Step 4 : Secure slats (6.) to Side Rail (3.) using the velcro hook and loops System. Start from the Footboard (2.) moving towards Headboard (1.).



Note : Layout bed slats on top of Side Rail (3.) start from the Footboard (2.) onward.

ASSEMBLY IS COMPLETED



Note : Please Lift up the bed to move, DO NOT push or pull the bed with mattress on top.

CARE AND MAINTENANCE



Product Name : AVERY QUEEN BED

Item Code : 65536

Product Care for Fabric Items

REGULAR CARE :

- Protect from direct sunlight
- Vacuum regularly using low suction
- Rotate reversible cushions regularly
- Avoid exposure to new clothing, cushions or throws as this may lead to dye transfer and permanent staining.

CLEANING :

- Do not remove cushion covers for separate cleaning even though they may have zippers
- Do not wash, Do not dry clean, Do not shampoo clean
- Clean only with hot water extraction machine. Professional cleaning recommended
- Do not use dishwashing liquid or laundry detergent. Use only upholstery detergents
- Do not wet filling
- Dry in shade away from direct heat and sunlight
Allow to dry thoroughly before re-use

SPOT CLEANING :

- Do not rub
- Do not spot clean with any solvent
- Treat spills and stains as soon as possible
- Gently scrape off any soil or blot any liquid from the surface of the fabric before applying cleaner
- Apply proprietary cleaning agents strictly according to instruction to remove the residue of the spill
- Do not saturate the fabric or interior with water or other cleaning liquids

WARNING :

Apply only water-based soil resist (fabric protection) treatments. Do not use aerosol products

* PILLING IS NOT A FABRIC DEFECT OR FAULT AND IS NOT COVERED BY WARRANTY

*PILLING IS NOT A NORMAL OCCURRENCE CAUSED BY WEAR AND TEAR AND DOES NOT AFFECT THE DURABILITY OR FUNCTIONALITY OF THE FABRIC AND IS EASILY REMOVED

Made In MALAYSIA
Imported By
Amart Furniture Pty Ltd,
Brisbane, Qld, Australia
Item Code: 65536
Product Name: AVERY QUEEN BED